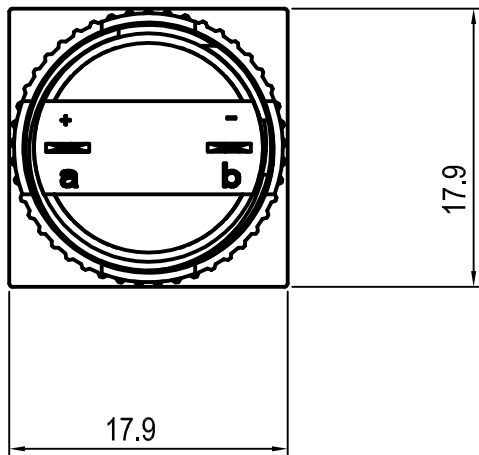


If Any Doubt Please Ask



1	2	3	4	5	6	7
PE-16X	S	O	X	G	B	28

EXAMPLE : FOR INDICATOR

MEANS : Series PE-16X Circular, Indicator, Green, bulb, 28V dc.

**PARAMOUNT**  
BANGALORE-10

\* All DIMENSIONS ARE IN "mm"  
\* MATCHING DIMENSIONS MARKED \_\_\_\_\_  $\Delta$   
\* CRUCIAL CHARACTERISTICS MARKED \_\_\_\_\_  $\Delta$

07 F/INDICATOR

TITLE: INDICATOR  
SUARE SHAPE

TOLERANCE SYSTEM	NAME	SIGN	DATE
25.0 = $\pm 0.1$	DSN MANJU		08/12/18
25.00 = $\pm 0.01$	CHD -		08/12/18
25.0000 = $\pm 0.005$	APPR AJIT		08/12/18
25.0000 = $\pm 0.002$			

01	INITIAL RELEASE		
REV.NO	BRIEF RECORD	DRAWN	DATE
REVISION RECORD			

SCALE  
1:1

DETAILS



DRAWING NO: PART NO: SHEET NO: